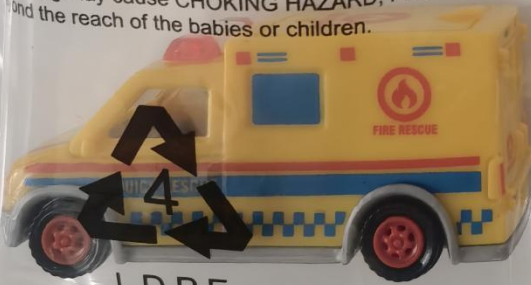


免费备用零件
Free spare parts

警告：此胶袋可引致窒息危险，切勿让婴儿及儿童接触。

WARNING: This polybag may cause CHOKING HAZARD, Please keep it beyond the reach of the babies or children.



LDPE

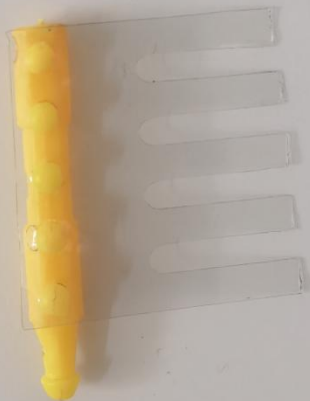
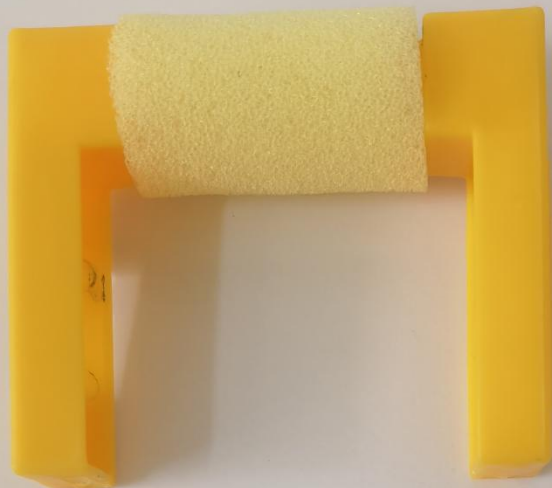
免费备用零件
Free spare parts

警告：此胶袋可引致窒息危险，切勿让婴儿及儿童接触。

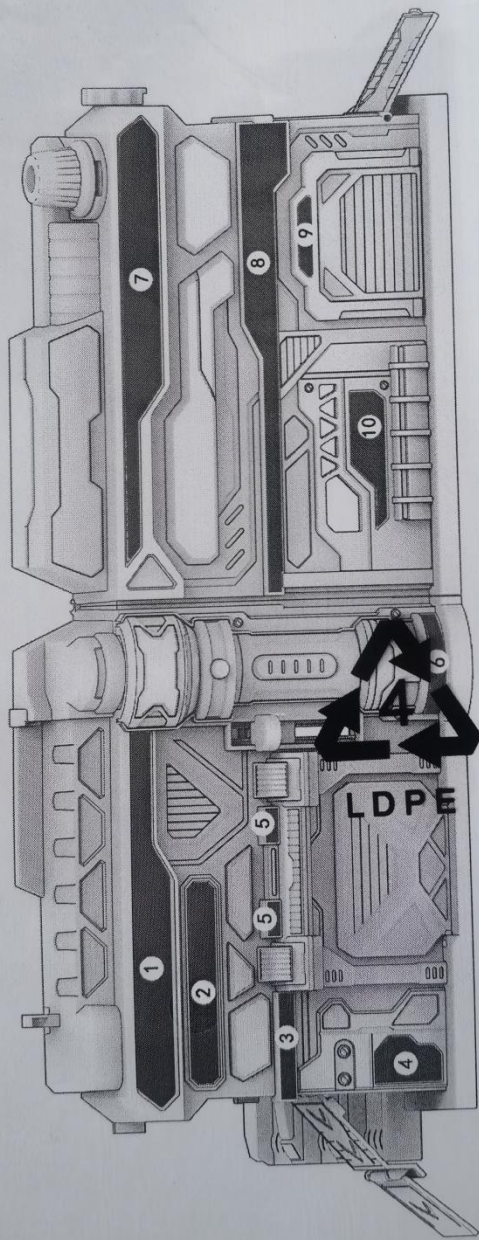
WARNING: This polybag may cause CHOKING HAZARD, Please keep it beyond the reach of the babies or children.



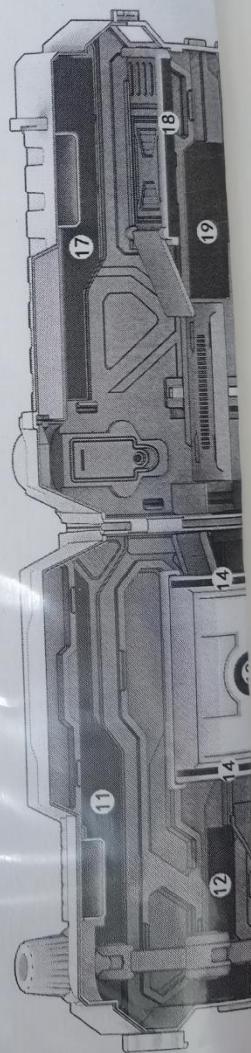
LDPE



02



03



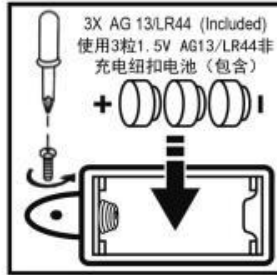


Battery Precaution

1. Alkaline batteries are recommended to be used
2. Only batteries of the same or equivalent type as recommended are to be used
3. Do not mix alkaline, standard or rechargeable batteries
4. Do not mix old and new batteries or different type of batteries
5. Non-rechargeable batteries are not to be charged
6. If rechargeable batteries are to be used, they are only to be charged under adult supervision
7. Rechargeable batteries are to be removed from the product before they are charged
8. Be sure to insert batteries with correct polarities and always follow the battery manufacturer's instructions
9. Remove all batteries from the Vehicle when not in use
10. Exhausted batteries are to be removed from the product
11. The supply terminals are not to be short-circuited
12. Dispose of batteries properly. Do not dispose the batteries in fire - it may cause them to explode or leak causing injury or damage.
13. Battery installation and removal must only be done by adult



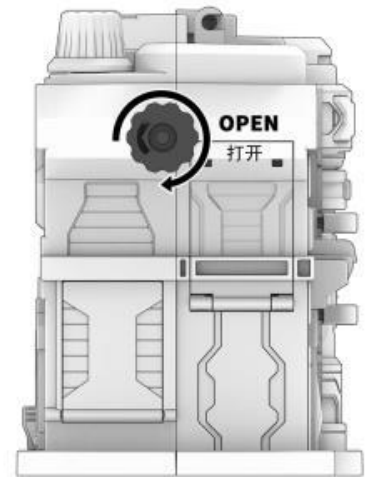
LIGHT AND MUSIC SWITCH BUTTON
灯光和音乐开关按钮



电池使用注意事项：

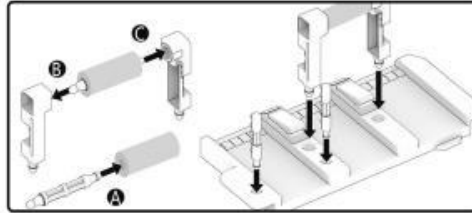
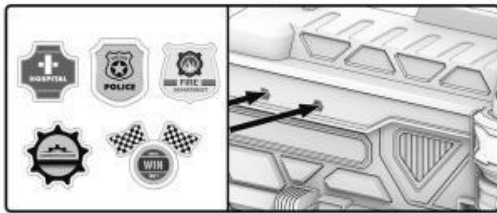
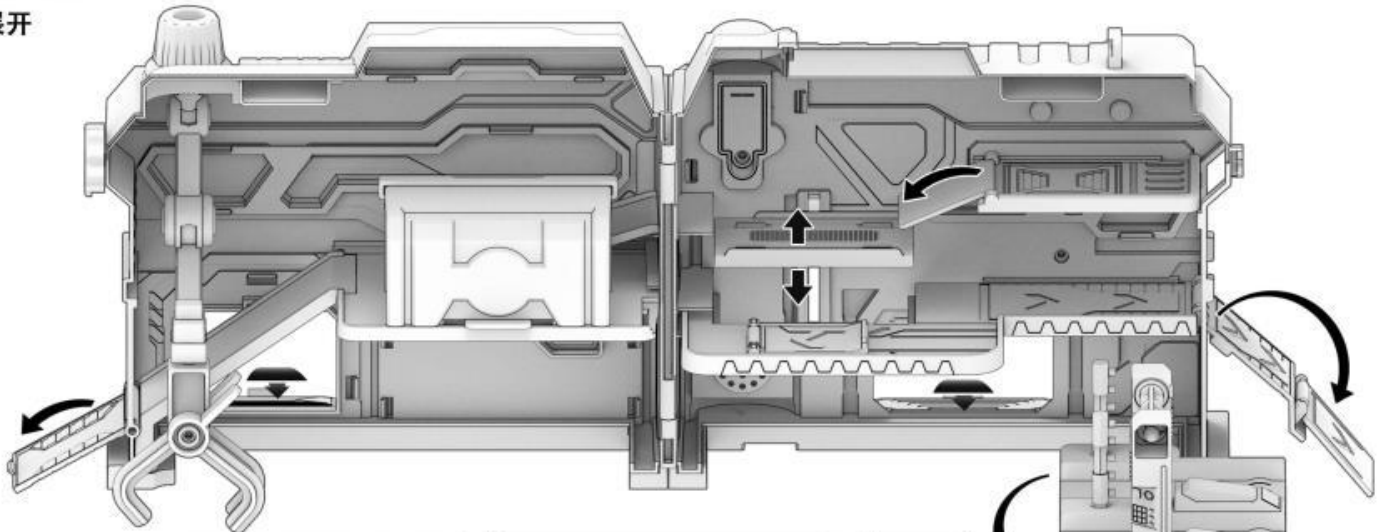
1. 非充电电池不可充电；
1. 如何取出和放入电池：用螺丝刀松开螺丝钉，撬开电池盖，按正确极性放入和取出电池；
3. 取出和放入电池应按玩具电池室上的标识进行；
4. 只能使用与推荐电池一样或相同的电池；
5. 不可混用新旧或不同类型的电池；
6. 电池应以正确的极性放入；
7. 用尽的电池应该从玩具中取出；
8. 电源端子不应短路。

警告 内含小零件不适合3岁以下儿童使用。
该包装含有重要信息，请给予保留。
外包装产品图片与实物有所不同，请以实物为准。



EXPAND

展开

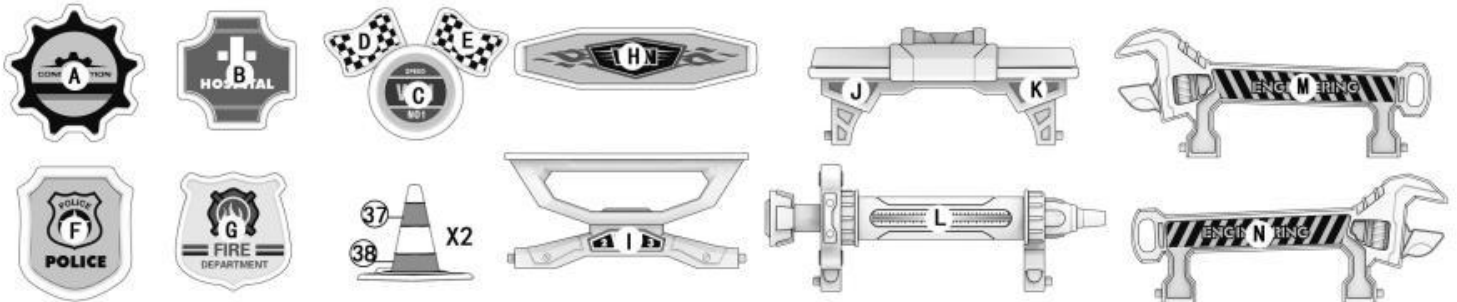


STICKER

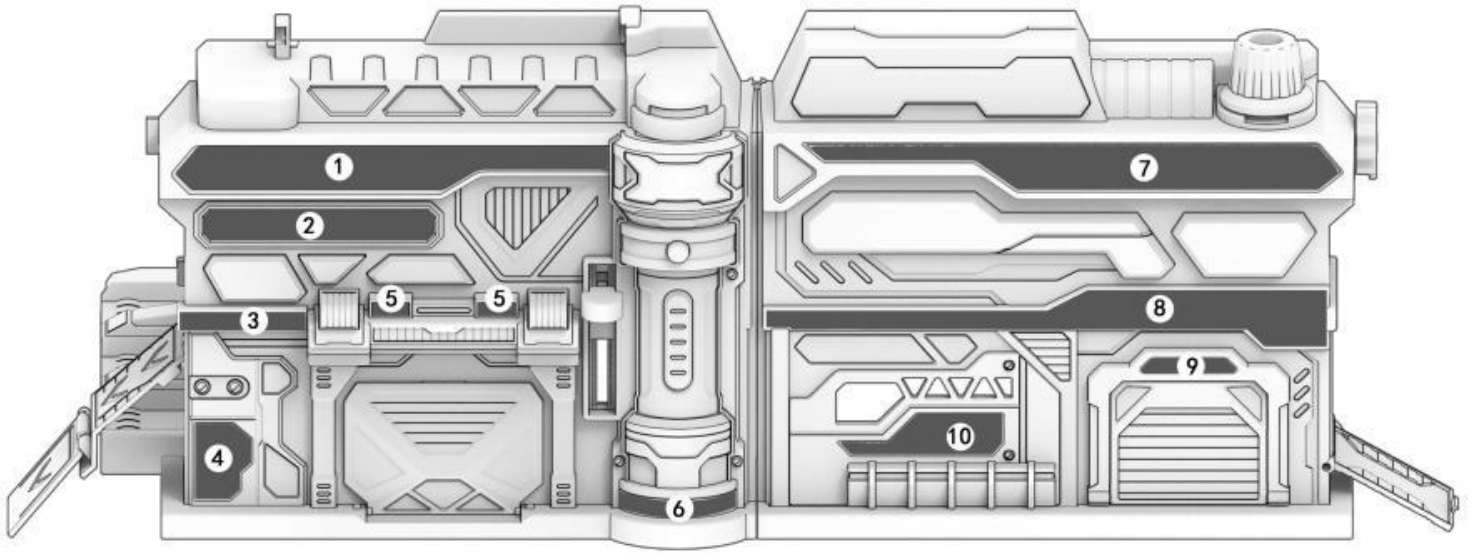
贴纸

Please paste by number

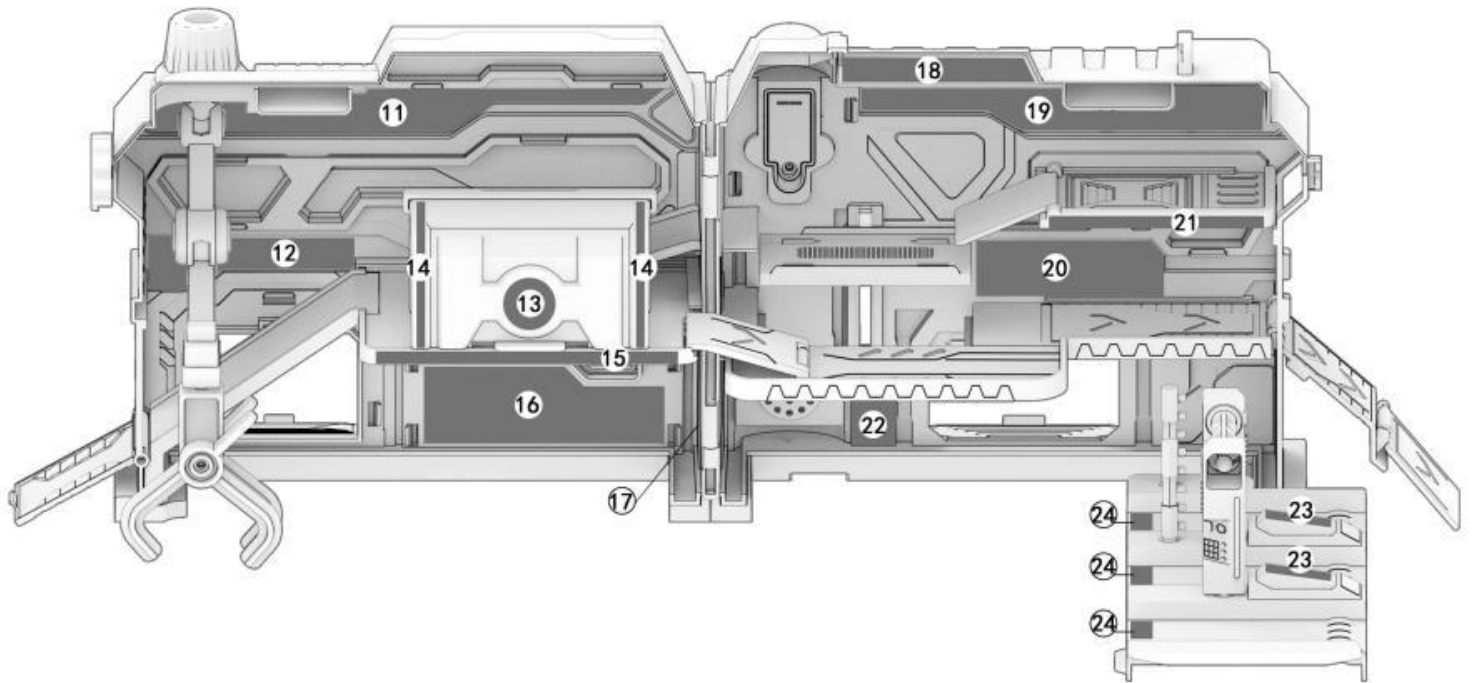
请按编号粘贴



01



02



03



X3

